

- Thank you for purchasing the *Potters Barn Dining Table*. Before you begin to assemble your new piece of furniture, please check to ensure that all hardware and parts have been supplied. This page lists all contents included in the carton(s).
- Follow instructions closely as deviation from them may present a possible safety risk and may void your warranty.
- It is recommended that assembly is done on a soft surface such as carpet to avoid any damage.
- If you experience any problems with your new purchase please contact your store of purchase for assistance.

## Care information

- Dust once a week using a soft cloth.
- Avoid placing hot or wet items directly on the surface as they can leave marks which are difficult to remove.
- Avoid direct sunlight, as this will cause colour change.
- This product is stained with a Brownwash finish to show the natural features of the timber. There maybe a slight change in colour overtime, this is not seen as a fault but a characteristic of your furniture.

## Hardware (Supplied)



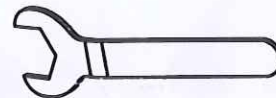
A x 8



B x 8



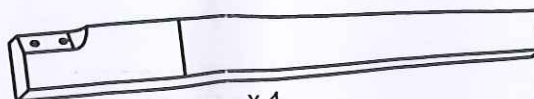
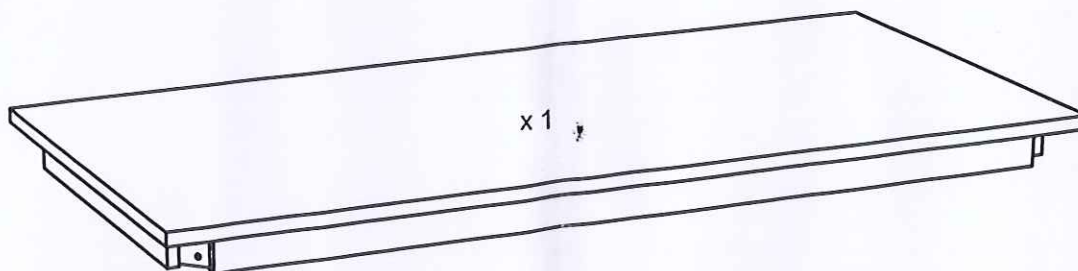
C x 8

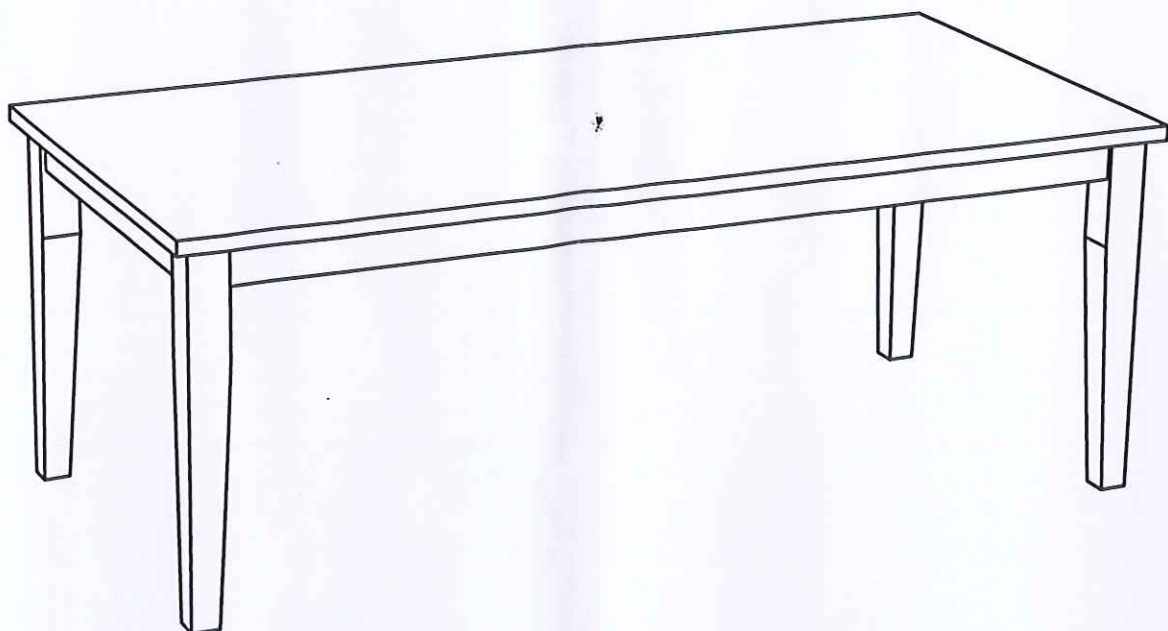
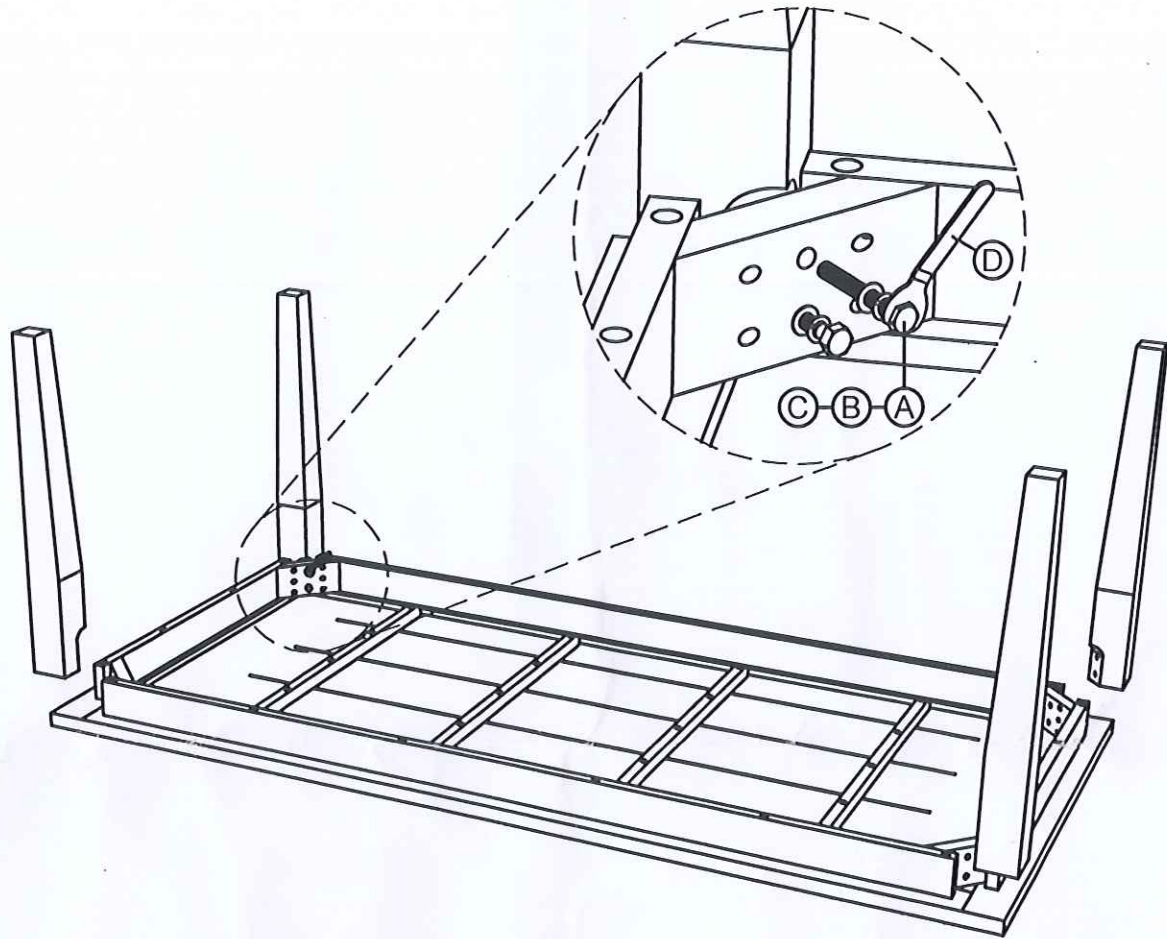


D x 1

## Tools Required (Not supplied)

## Parts







MADE IN VIETNAM  
IMPORTED BY:  
G&G FURNITURE IMPORTS PTY LTD  
2 KINGS PARK ROAD  
KINGS PARK, NSW, 2148  
PH: 02 8822 8840 FAX: 02 8822 8842  
ABN:65 092 130 688

#### **ABOUT YOUR TIMBER FURNITURE**

Congratulations on your purchase from G&G Furniture Imports Pty Ltd. We guarantee you that your timber furniture has been made and finished from the high quality materials and craftsmen.

#### **WARRANTY INFORMATION**

Our goods come with guarantees that can not be excluded under the Australian Consumer Law. You are entitled to a replacement or refund for a major failure and for compensation for any other reasonably foreseeable loss or damage. You are entitled to have the goods repaired or replaced if the goods fail to be of acceptable quality and the failure does not amount to a major failure. G&G Furniture also warrants the furniture for any manufacturing fault for a period of 12 months from the original purchase date. This warranty is available to the original purchaser of the goods only.

**Subject to any applicable law which cannot be excluded, the Warranty does not cover the following:**

- Any transport damage
- Misuse or neglect (in regards to the warranty and care information)
- Any variation in the timber (knots, grain, etc) from piece to piece and finish's (rough sawn, driftwood, iron, etc), which may cause a slight change in the stain or the look of the furniture.
- Any cracking, splitting, fading or warping caused by direct sunlight, extreme temperature or humidity.

If you wish to process a warranty claim, initial contact should be made with the retail store from where the item was purchased.

#### **CARE INFORMATION**

This product is stained with a Brownwash finish to show the natural features of the timber. There maybe a slight change in colour overtime, this is not seen as a fault but a characteristic of your furniture.

To care for your timber furniture please follow these instructions:

- Only use a clean damp cloth to clean and wipe over your furniture, never use any other cleaners, polishes, oils, etc
- Wipe with the direction of the grain
- Dust once a week using a soft cloth
- Avoid placing hot or wet items directly on the surface as they can leave marks which are difficult to remove.
- Wipe up spills immediately.
- Avoid direct sunlight, as this will cause colour change.
- Do not use harsh abrasives or chemicals.
- Periodically check and retighten any fasteners.